

BALDOR® • RELIANCE 

Product Information Packet

CEM3312T

10HP,3475RPM,3PH,60HZ,213TC,3728M,OPSB,F

Part Detail							
Revision:	P	Status:	PRD/A	Change #:		Proprietary:	No
Type:	AC	Elec. Spec:	37WGS633	CD Diagram:	CD0005	Mfg Plant:	
Mech. Spec:	37B102	Layout:	37LYB102	Poles:	02	Created Date:	06-21-2012
Base:	RG	Eff. Date:	07-02-2019	Leads:	9#14		

Specs			
Catalog Number:	CEM3312T	Heater Indicator:	No Heater
Enclosure:	OPSB	Insulation Class:	F
Frame:	213TC	Inverter Code:	Inverter Ready
Frame Material:	Steel	KVA Code:	G
Output @ Frequency:	10.000 HP @ 60 HZ	Lifting Lugs:	Standard Lifting Lugs
Synchronous Speed @ Frequency:	3600 RPM @ 60 HZ	Locked Bearing Indicator:	Locked Bearing
Voltage @ Frequency:	460.0 V @ 60 HZ	Motor Lead Quantity/Wire Size:	9 @ 14 AWG
	230.0 V @ 60 HZ	Motor Lead Exit:	Ko Box
XP Class and Group:	None	Motor Lead Termination:	Flying Leads
XP Division:	Not Applicable	Motor Type:	3728M
Agency Approvals:	UR	Mounting Arrangement:	F1
	CSA EEV	Power Factor:	86
	CSA	Product Family:	General Purpose
Auxillary Box:	No Auxillary Box	Pulley End Bearing Type:	Ball
Auxillary Box Lead Termination:	None	Pulley Face Code:	C-Face
Base Indicator:	Rigid	Pulley Shaft Indicator:	Standard
Bearing Grease Type:	Polyrex EM (-20F +300F)	Rodent Screen:	None
Blower:	None	Shaft Extension Location:	Pulley End

Current @ Voltage:	12.000 A @ 460.0 V	Shaft Ground Indicator:	No Shaft Grounding
	24.000 A @ 230.0 V	Shaft Rotation:	Reversible
	25.600 A @ 208.0 V	Shaft Slinger Indicator:	No Slinger
Design Code:	B	Speed Code:	Single Speed
Drip Cover:	No Drip Cover	Motor Standards:	NEMA
Duty Rating:	CONT	Starting Method:	Direct on line
Electrically Isolated Bearing:	Not Electrically Isolated	Thermal Device - Bearing:	None
Feedback Device:	NO FEEDBACK	Thermal Device - Winding:	None
Front Face Code:	Standard	Vibration Sensor Indicator:	No Vibration Sensor
Front Shaft Indicator:	None	Winding Thermal 1:	None
		Winding Thermal 2:	None

Nameplate NP3553LUA

CAT.NO.	CEM3312T						
SPEC.	37B102S633G1						
HP	10						
VOLTS	230/460						
AMPS	24/12						
RPM	3475						
FRAME	213TC	HZ	60	PH	3		
SF	1.15	CODE	G	DES	B	CLASS	F
NEMA NOM. EFF	89.5	PF	86				
RATING	40C AMB-CONT						
CC	010A	USABLE AT 208V				25.6	
DE	6307	ODE	6206				
ENCL	OPSB	SN					
VPWM INVERTER READY							
CT30-60(2:1) VT3-60(20:1)							
USABLE AT	50HZ 7.5HP 190/380V 26.8/14.4A					SF1.0	

Parts List		
Part Number	Description	Quantity
SA246657	SA 37B102S633G1	1.000 EA
RA233549	RA 37B102S633G1	1.000 EA
HA6361A01	LIFTING LUG FOR 37, 39 & 40 FRAME ZINC	2.000 EA
37CB3006	37 CB CASTING W/1.38 LEAD HOLE @ 6:00	1.000 EA
51XW2520A10	.25-20 X .62, TAPTITE II, HEX WSHR SLTD	2.000 EA
11XW1032G06	10-32 X .38, TAPTITE II, HEX WSHR SLTD U	1.000 EA
37EP3203A00	MASTER,ODE,206 BRG,GREASER	1.000 EA
HW4500A01	1641B(ALEMITE)400 UNIV, GREASE FITT	1.000 EA
HW5100A06	W2420-025 WVY WSHR (WB)	1.000 EA
37EP3400A01	FACE MT EP-OPEN-307 BRG-213-215TC W/GREA	1.000 EA
HW4500A01	1641B(ALEMITE)400 UNIV, GREASE FITT	1.000 EA
10XN2520A30	HEX HD CAP SCREW-STD THD-.25 X 20 THD PE	4.000 EA
HW1001A25	LOCKWASHER 1/4, ZINC PLT .493 OD, .255 I	4.000 EA
XY3118A12	5/16-18 HEX NUT DIRECTIONAL SERRATION	4.000 EA
37CB4516	LIPPED LID FOR 37 FRAME NEC KOBX	1.000 EA
51XW0832A07	8-32 X .44, TAPTITE II, HEX WSHR SLTD SE	4.000 EA
HW2501F21	KEY, 5/16 SQ X 2.375	1.000 EA
HA7000A02	KEY RETAINER RING, 1 1/8 DIA, 1 3/8 DIA	1.000 EA
85XU0407S04	4X1/4 U DRIVE PIN STAINLESS	2.000 EA
LB1115N	LABEL,LIFTING DEVICE (ON ROLLS)	1.000 EA
MJ1000A02	GREASE, MOBIL POLYREX EM - 124047	0.050 LB
37AD2001A01	BAFFLE PLATE, PLASTIC 0.63" WIDTH	2.000 EA
MG1000Y03	MUNSELL 2.53Y 6.70/ 4.60, GLOSS 20,	0.028 GA
HA3104A27	THRUBOLT 5/16 18 X 12.438 X	4.000 EA

Parts List (continued)		
Part Number	Description	Quantity
LC0005E01	CONN.DIA./WARNING LABEL (LC0005/LB1119N)	1.000 EA
NP3553LUA	ALUM SUPER-E VPWM INVERTER READY UL	1.000 EA
G0PA1000	PKG GRP, PRINT PK1026A06	1.000 EA
MN416A01	TAG-INSTAL-MAINT no wire (1200/bx) 3/19	1.000 EA
FE-0000001	ZRTG FE ASSEMBLY	1.000 EA

AC Induction Motor Performance Data

Record # 53394 - Typical performance - not guaranteed values

Winding: 37WGS633-R009	Type: 3728M	Enclosure: OPSB
-------------------------------	--------------------	------------------------

Nameplate Data				460 V, 60 Hz: High Voltage Connection	
Rated Output (HP)	10			Full Load Torque	15 LB-FT
Volts	230/460			Start Configuration	direct on line
Full Load Amps	24/12			Breakdown Torque	51.1 LB-FT
R.P.M.	3475			Pull-up Torque	25.6 LB-FT
Hz	60	Phase	3	Locked-rotor Torque	30 LB-FT
NEMA Design Code	B	KVA Code	G	Starting Current	79 A
Service Factor (S.F.)	1.15			No-load Current	4.54 A
NEMA Nom. Eff.	89.5	Power Factor	86	Line-line Res. @ 25°C	0.98748 Ω
Rating - Duty	40C AMB-CONT			Temp. Rise @ Rated Load	29°C
S.F. Amps				Temp. Rise @ S.F. Load	35°C
				Locked-rotor Power Factor	35
				Rotor inertia	0.255 LB-FT ²

Load Characteristics 460 V, 60 Hz, 10 HP

% of Rated Load	25	50	75	100	125	150	S.F.
Power Factor	52	74	82	86	88	88	87
Efficiency	84.2	89.7	90.6	90.2	89.3	87.9	89.7
Speed	3578.4	3552.7	3525.5	3493.1	3458.3	3422.6	3472
Line amperes	5.31	7.03	9.39	12	14.8	18	13.7

Performance Graph at 460V, 60Hz, 10.0HP Typical performance - Not guaranteed values

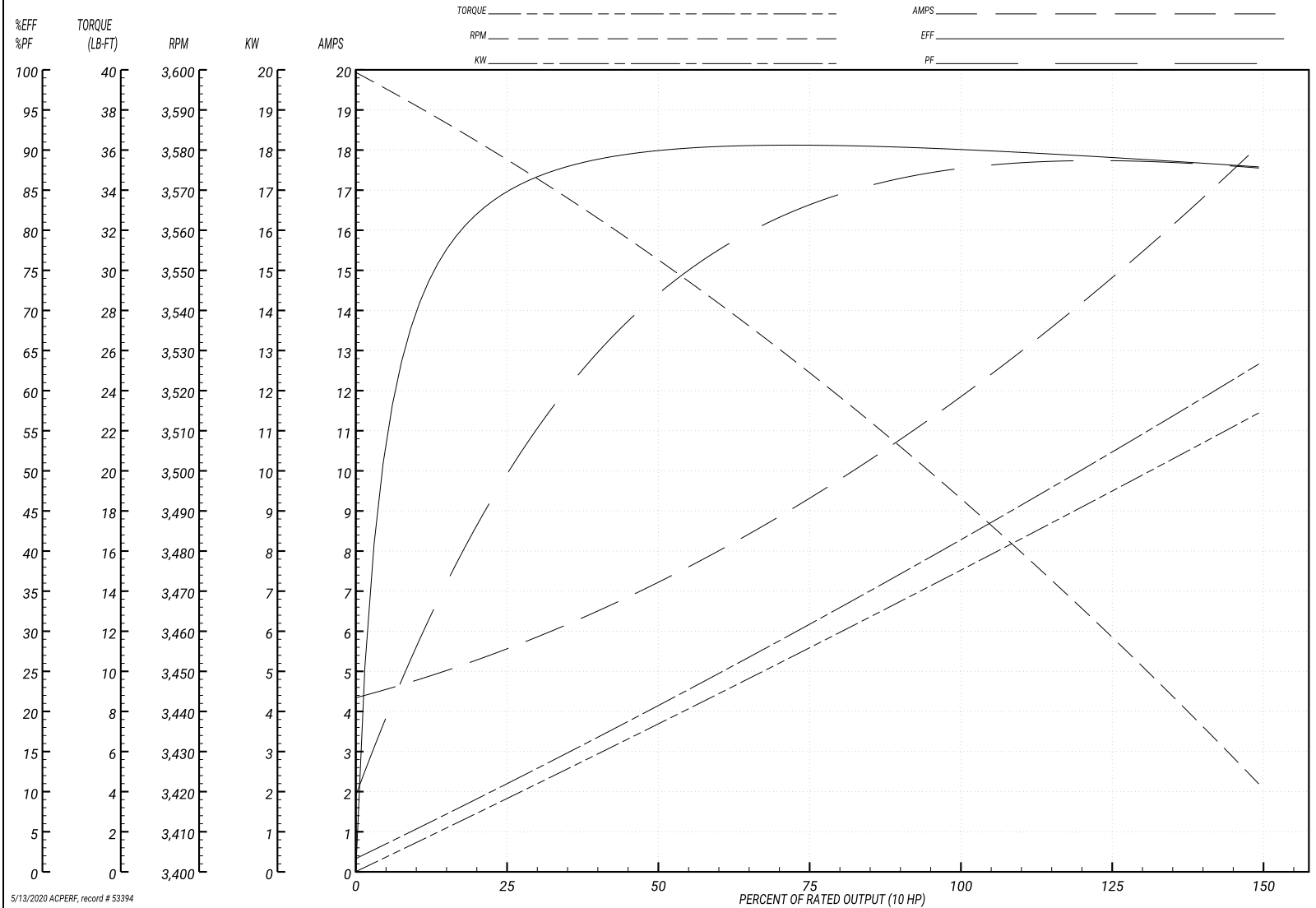
ABB Motors and Mechanical Inc.

WINDING # 37WGS633

Typical performance - not guaranteed values.

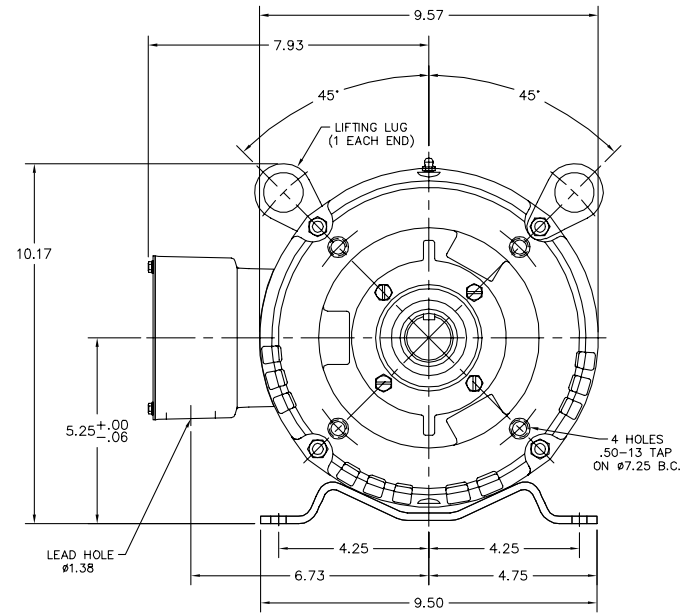
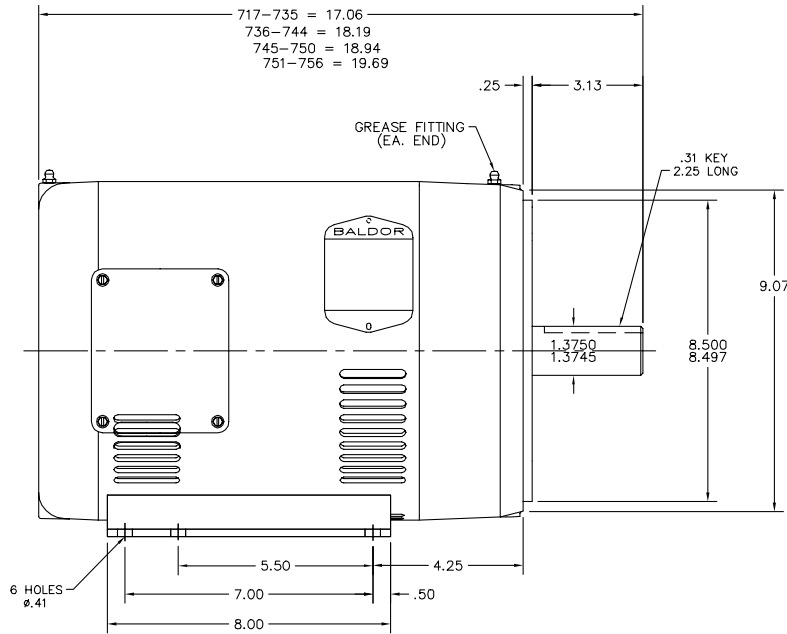
10 HP 3 PH 60 HZ 3475 RPM 460 V 3728M

TORQUES(LB-FT): PO=51.1 PU=25.6 LR=30 LRA=79



5/13/2020 ACPERF, record # 53394

37LYB102



37LYB102

CUSTOMER IS RESPONSIBLE FOR DETERMINING THAT BALDOR'S PRODUCT WILL PERFORM SUITABLY IN THE INTENDED APPLICATION.

REV. DESC: REPLACE ENDPLATES	VERSION: 02	TDR: 000001018975
REV. LTR: F	REVISED: 10:40:38 04/04/2017	BY: USZAHAR
FILE: \AAA\00045\872		
MTL: -		

BALDOR
 STD HORZ 213-5TC OPSB 37M
 SH 1 of 1

CD0005



LOW VOLTAGE
(2Y)



LINE

HIGH VOLTAGE
(1Y)



LINE

NOTES:

1. INTERCHANGE ANY TWO LINE LEADS TO REVERSE ROTATION.
2. OPTIONAL THERMOSTATS ARE PROVIDED WHEN SPECIFIED.
3. ACTUAL NUMBER OF INTERNAL PARALLEL CIRCUITS MAY BE A MULTIPLE OF THOSE SHOWN ABOVE.
4. LEAD COLORS ARE OPTIONAL. LEADS MUST ALWAYS BE NUMBERED AS SHOWN.

REV. DESC: REVISE TO SHOW OPTIONAL COLORS			
REV. LTR: E	BY: JLP	REVISED: 01/19/99 10:15	TDR: 0171435
900000		FILE: AAA00005140	MDL: -
		MTL: -	

BALDOR ELECTRIC Co.

3PH, DV, 9 LEADS

CD0005